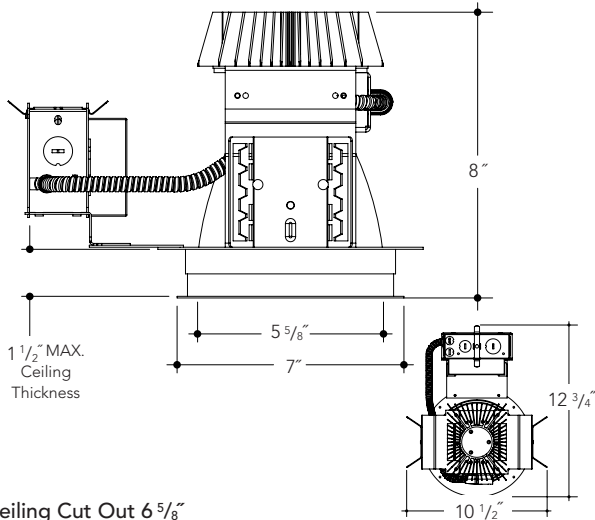


DIMENSIONS



Ceiling Cut Out 6 5/8"

FEATURES

Sylvania PrevaLED Cube LED Module

A high efficiency LED source with integrated optics. Standard light distribution at 110° for the best quality of light using a reflector or diffuser. System efficiency 90-100 lumens per watt. This fixture features an 1100, 2000, 3000 lumen PrevaLED module available in 2700, 3000, 3500 and 4000 kelvin color temperatures. Please consult factory. Standard Optotronic® solid state driver for maximum efficiency and enhanced system performance.

Benefits:

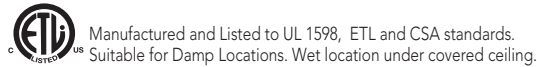
- CRI 83 for excellent light color rendering.
- 3 Step MacAdams combined with a CRI of 83 provides excellent high quality consistent color.
- System efficiency of 90-100 lumens per watt for a highly energy efficient lighting solution.
- All electronic components are covered by a 5 Year Warranty.

Frame

Heavy duty galvanized steel components including frame, adjustable mounting ears and junction box. Fixture is prewired and grounded with easy access from below, listed for through branch circuit wiring.

Standard mounting bars (included) incorporate rigid formed cross sections and include joist positioning tabs, integral nails, auxiliary nailholes, T-Bar slots and holes for locking to grid using self-tapping screws (supplied by others). Mounting ears will accept our standard bars (14"-24" ext), optional Caddy #517B (27" ext) and other mounting methods.

Insulation must be kept 3" away from fixture. Listed for damp locations.

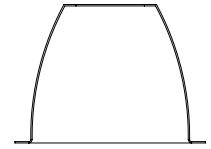


REFLECTOR KIT

OPEN - LED - ROUND

LED 6" Aperture

- L6060 6" LED Open Round
- Finish Options**
- SCL Specular Clear "Alzak"
 - SGC Soft Glow Clear
 - ECL Etch Clear
 - WHT White Reflector



Options

- PF Polished Flange

OPEN BAFFLED - LED - ROUND

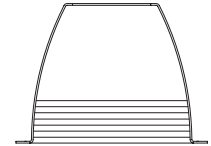
LED 6" Aperture

- L6050 6" LED Open Baffled Round

Finish Options

Specify reflector finish option - see above, then add baffle finish color

- BL Black Baffle
- WH White Baffle



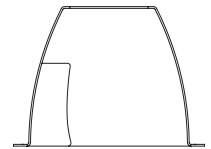
WALL WASH - LED - ROUND

LED 6" Aperture

- L6160 6" LED Wall Wash Round

Finish Options

- SCL Specular Clear "Alzak"
- SGC Soft Glow Clear
- ECL Etch Clear
- WHT White Reflector



Options

- PF Polished Flange



EXAMPLE: A6VOSLED1-2035K-L6060-SCL

ORDERING INFORMATION

Wattage LED	Housing	Voltage	Lumens	Kelvin	Reflector	Finish	Baffle	Options
See Chart Below	A6VOSLED	1	-11 = 1100	27K = 2700K	L6060	SCL	BL	DL-3
		2	-20 = 2000	30K = 3000K	Baffled	SGC	WH	DL-2
			-30 = 3000	35K = 3500K	L6050	ECL		EM
				40K = 4000K	Wall Wash	WHT		PF
					L6160			R
								RETRO

Lumens	Wattage*
1100	12W
2000	20W
3000	31W

*Actual Wattage/Lumens may vary.

- Voltage**
- 1 - 120 Volts
 - 2 - 277 Volts
 - 3 - 347 Volt - Please Consult Factory

Options

- DL-3 - Lutron 3-Wire - Please Consult Factory
- DL-2 - Lutron 2-Wire - Please Consult Factory
- EM - Emergency Battery
- PF - Polished Flange
- R - Remodeler
- Retro - Retrofit - Please Consult Factory

Vantage reserves the right to change components, finishes or design details in any manner which does not alter the installed appearance or reduce performance and intended function.

▲ See Options pages for other options and finishes.